

◆ Product Description

The GH1122 is a Hall-effect latch designed in CMOS technology. The IC internally includes a voltage regulator, Hall sensor with dynamic offset cancellation system, Schmitt trigger and an open-drain output driver. With no magnetic field present, the output is in the “off” state(High). While the magnetic flux density(B) is larger than operate point(Bop),the output will be turned off(Low) and the output is latched “on ” state until the magnetic flux density (B) is lower than release point(Brp),then turn on(High). It has wide operating voltage range and extended choice of temperature range, it is quite suitable for use in automotive, industrial and consumer applications.

◆ Features

- 3.0V to 24V DC Operation Voltage
- CMOS Technology
- Chopper-stabilized amplifier stage
- 50mA Output Sink Current
- Operating Temperature: -40~ +125°C
- High Magnetic Sensitivity: B_{hys}=50Gauss(Typ.)
- Lead Free Package: SIP-3L
- Lead Free Finish/RoHS Compliant
- Built-in reverse voltage protection

◆ Application

- Rotor Position Sensing
- Current Switch
- Encoder
- RPM Detection

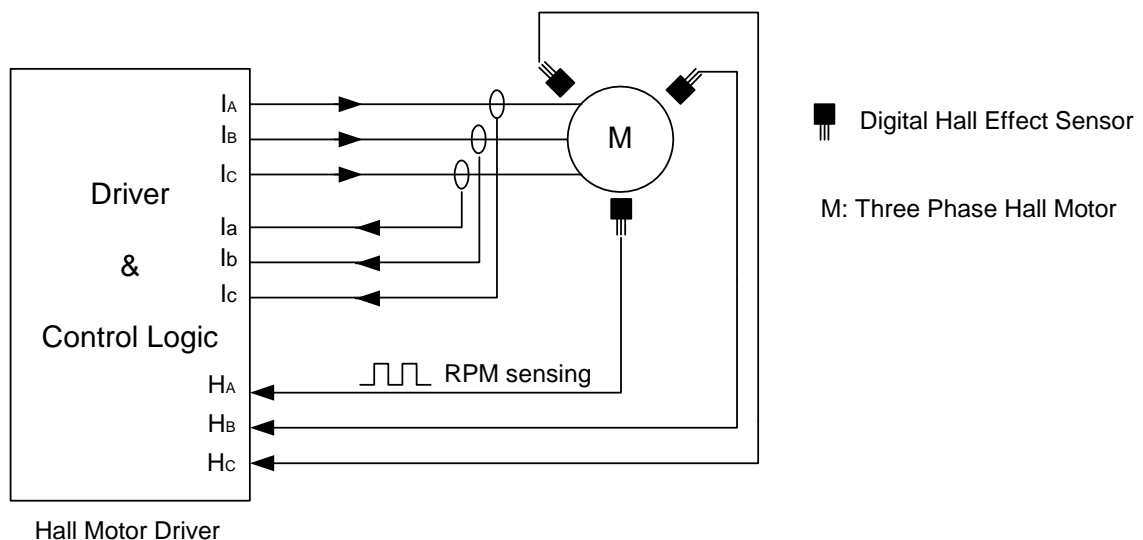


Fig.1 Functional Application Circuit in 3-Phase Hall Motor

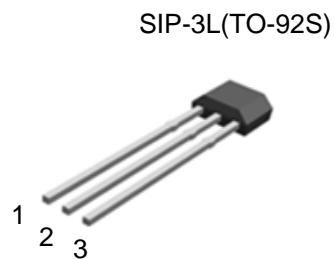
◆ Pin Description

Table 1-1 Pin definition and description for SIP-3L(TO-92S)

PIN #	NAME	P/I/O	FUNCTION DESCRIPTION
1	VDD	P	Input Power Supply
2	GND	P	Ground
3	OUT	O	Output Stage of Open Drain

◆ Pin Configuration

(Top View)



◆ **Absolute Maximum Rating** (Note 1)

SYMBOL	PARAMETER	RATING
VDD	Supply Voltage	+28VDC
VRDD	VDD Reverse Voltage VDD	-28VDC
Vout (off)	Voltage externally applied to output	+28VDC max, OFF condition only -0.5 V min., OFF or ON condition
Io (sink)	Output "ON" Current	50 mA
PD	Power Dissipation	450mW(SIP-3L);230mW(SC59)
Top	Operation Temperature Range	-40 to +125 °C
Tst	Storage Temperature Range	-65 to +150 °C
B	Magnetic Flux	No limit

Note 1: Absolute Maximum Ratings are those values beyond which the life of a device may be impaired.

◆ **Electrical Characteristics** (TA = 25°C)

SYMBOL	PARAMETER	CONDITIONS	MIN	TYP	MAX	UNIT
VDD	Supply Voltage	Operating	3.0		24	V
VO(SAT)	Output Saturation Voltage	VDD = 12V, OUT "ON", Io = 10mA			300	mV
		VDD = 12V, OUT "ON", Io = 50mA			500	mV
IDD	Supply Current	VDD = 3.0~24V, OUT "OFF"		2.0	5.0	mA
ILE	Output Leakage Current (Leakage into sensor output)	Released			10	μA
Tr	Output Switching Time	Rise Time			0.45	μS
Tf		Fall Time			0.45	μS
F _{SW}	Maximum Switching Frequency			10		KHz

◆ **Magnetic Characteristics** (TA = 25°C, VDD=12V)

SYMBOL	PARAMETER	MIN.	TYP.	MAX.	UNIT
Bop	Operation Point	5	25	45	Gauss
Brp	Release Point	-45	-25	-5	Gauss
Bhy	Hysteresis	25	50	65	Gauss

◆ Functional Block Diagram

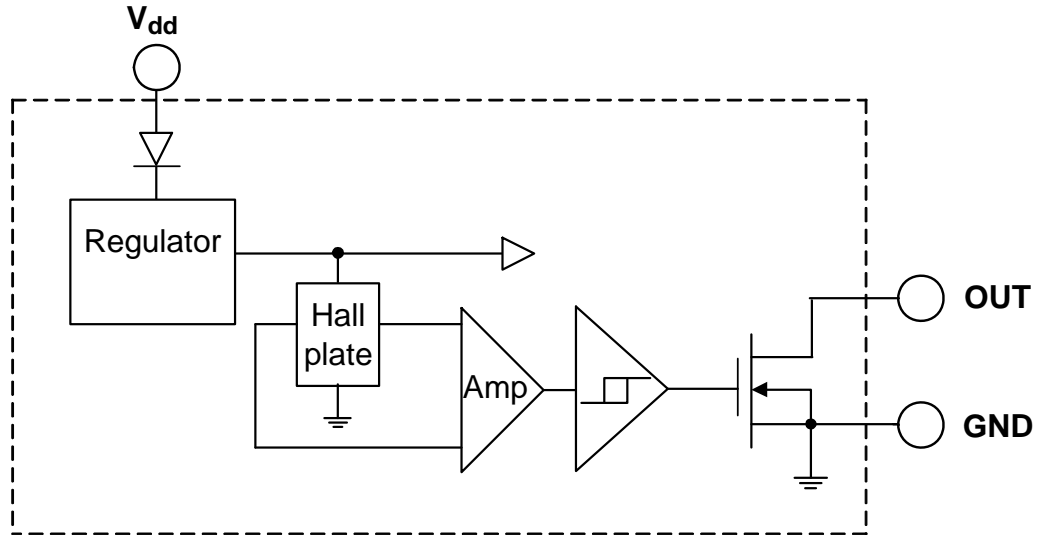


Figure 2. Function Block Diagram of GH1122

◆ Operating Characteristics

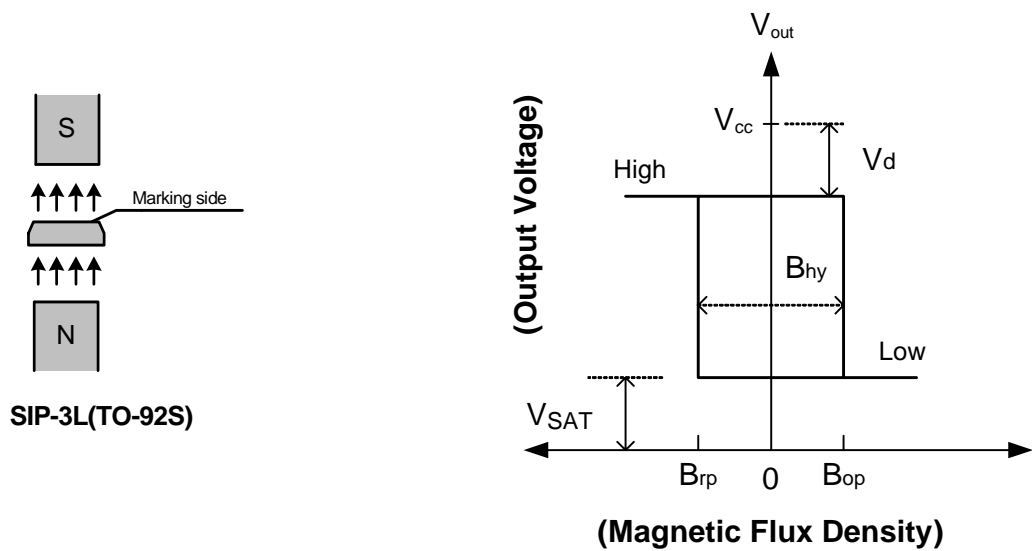
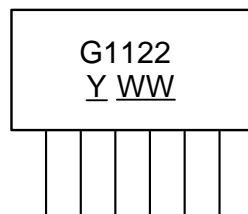


Figure 3. Operating Characteristics of GH1122

◆ Marking Information

SIP-3L(TO-92S)

(Top View)

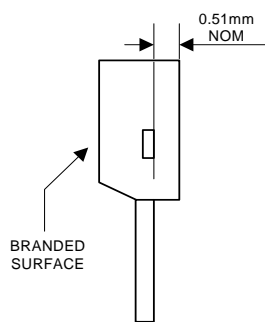


Y : Year : "1" = 2011

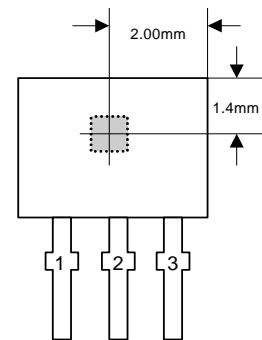
WW : Nth Week 01~52

◆ Package Information (unit: mm)

Package Type: SIP-3L(TO-92S) for Bulk only



Active Area Depth



Sensor Location

